

SMART ROLL SERIES – Coating (PE Coating)

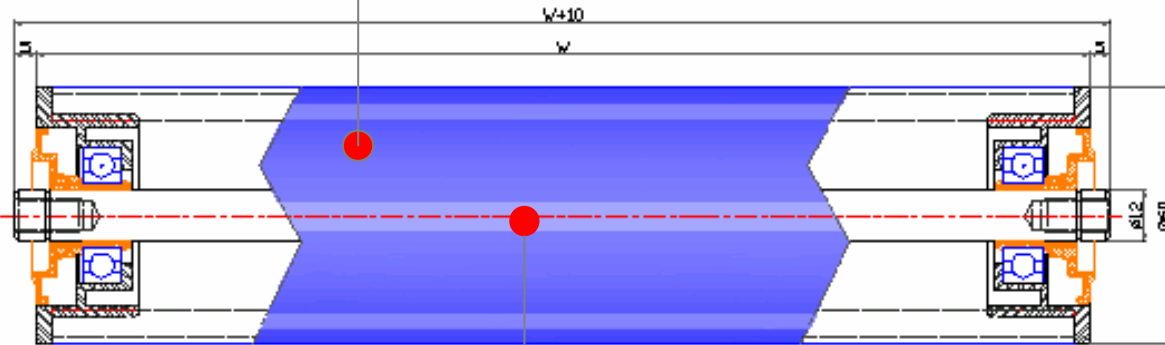
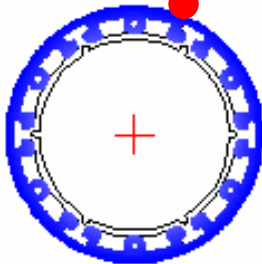
PE COATING ROLLER

HFAR-CA6012

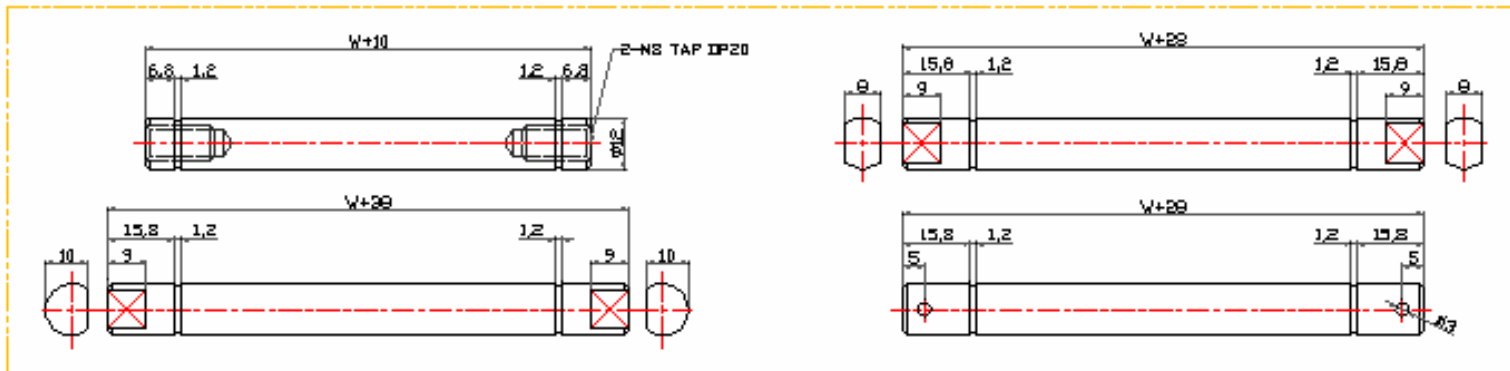
SPECIFICATION

AL PROFILE	██████████	SPROCKET	-
SHAFT	██████████	CHAIN	-
BEARING	60BZZ	SEAL	-
SNAP-RING	32L	COATING	PE ≒W 115
SPEC	W50-W200	SURFACE	-

PE Coating 부위



AL Frame 부위



주식회사 현대포스

PROJECT SMART ROLL

TITLE PE COATING ROLLER-Ø60

VIEW	UNIT	ANGLE	SCALE	DATE	DRW	FILE NAME
중단	mm					

DESIGNER	CHECKER	APPROVER	DATE

CUSTOMER	
DRAWING NO.	HFAR-CA6012