

SMART ROLL SERIES – Chain Sprocket (Single Type)

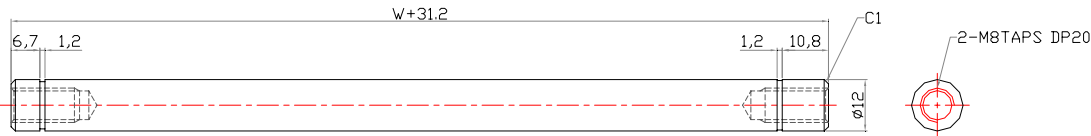
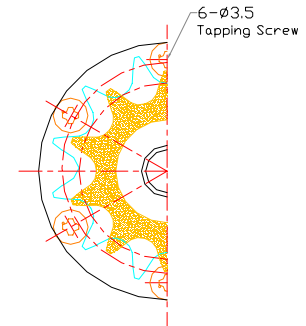
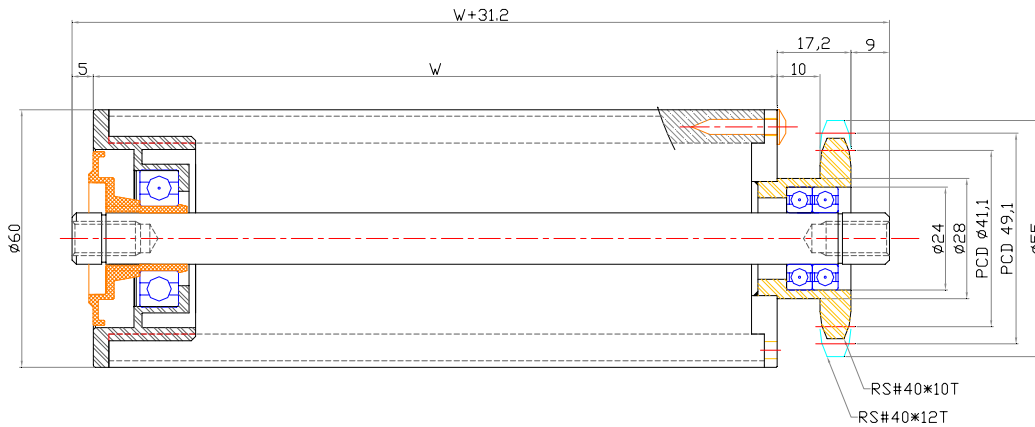
CHAIN SPR. ROLLER

정보 제공용

HFAR-CH6012-4011/12S-TAP

SPECIFICATION

| | | | |
|------------|------------------------|----------|------------------------|
| AL PROFILE | φ 60*1.5(LIB 포함 7.75t) | SPROCKET | RS#40*10/12T(SINGLE) |
| SHAFT | φ 12 | CHAIN | RS#40 |
| BEARING | 6901ZZ 6002ZZ | DISC | - |
| SNAP-RING | S12 S12 | COATING | 유리탄, 아세탈, 고무 외(Option) |
| SPEC' | W200-W1300 | SURFACE | 미역(기본) |



주식회사 현대포스

PROJECT SMART ROLL

TITLE Chain Sprocket Roller

| VIEW | UNIT | ANGLE | SCALE | DATE | GEN' | TOLE' | FILE NAME |
|------|------|-------|-------|------------|------|-------|-----------|
| ☉ | M/M | | | 2008.05.06 | | ±0.1 | |

| APPROVED | CHECKED | DESIGNED | DRAWING |
|----------|---------|----------|---------|
| | | | |

| | |
|----------|--------------|
| CUSTOMER | |
| DWG NO. | HFAR-CH6012S |
| REV NO. | |

DATE

SMART ROLL SERIES – Chain Sprocket (Single Type)

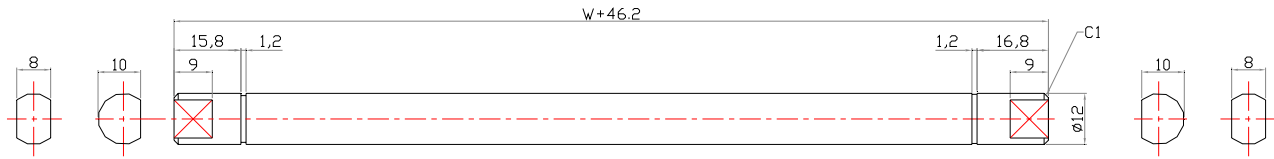
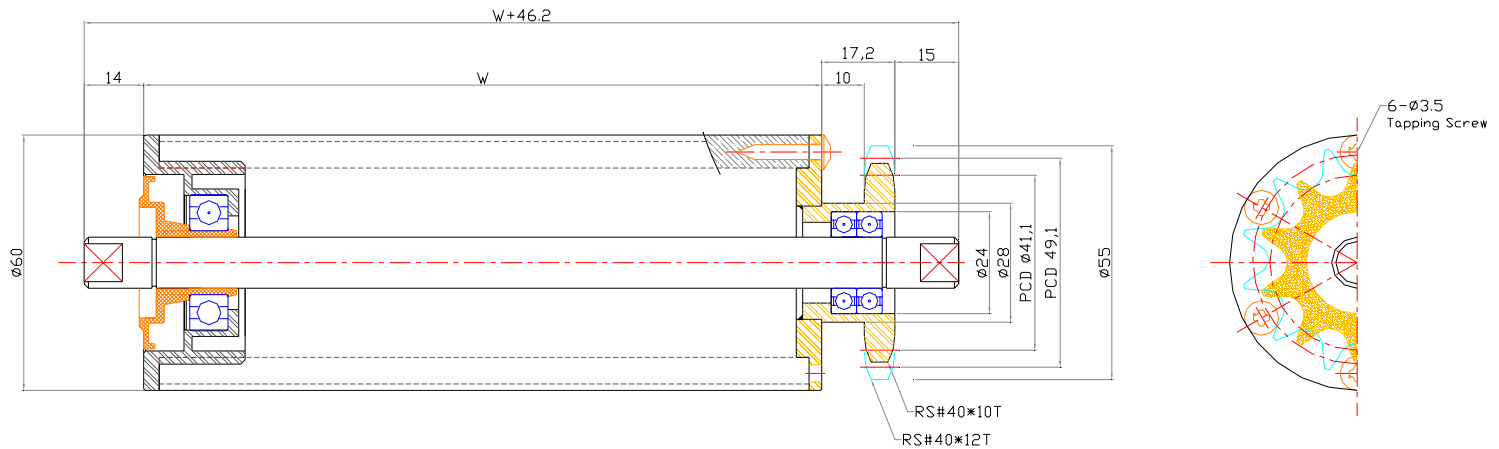
CHAIN SPR. ROLLER

정보 제공용

HFAR-CH6012-4011/12S-CUT

SPECIFICATION

| | | | |
|------------|-------------------------|----------|--------------------------|
| AL PROFILE | ø 60*1.5t(LIB 포함 7.75t) | SPROCKET | RS#40*10/12T(SINGLE) |
| SHAFT | ø 12 | CHAIN | RS#40 |
| BEARING | 6901ZZ 6002ZZ | DISC | - |
| SNAP-RING | S12 S12 | COATING | 유리탄, 아세탈, 고무 외(Optional) |
| SPEC' | W200-W1300 | SURFACE | 피막(기본) |



SHAFT 선택 반달 커팅 양단 커팅



주식회사 현대포스

PROJECT SMART ROLL

TITLE Chain Sprocket Roller

| VIEW | UNIT | ANGLE | SCALE | DATE | GEN TOLE | FILE NAME |
|------|------|-------|-------|------------|----------|-----------|
| ☺ | M/M | | | 2006.05.06 | ±0.1 | |

| APPROVED | CHECKED | DESIGNED | DRAWING |
|----------|---------|----------|---------|
| | | | |

| CUSTOMER | DWG NO. | REV NO. |
|----------|--------------|---------|
| | HFAR-CH6012S | |

SMART ROLL SERIES – Chain Sprocket (Single Type)

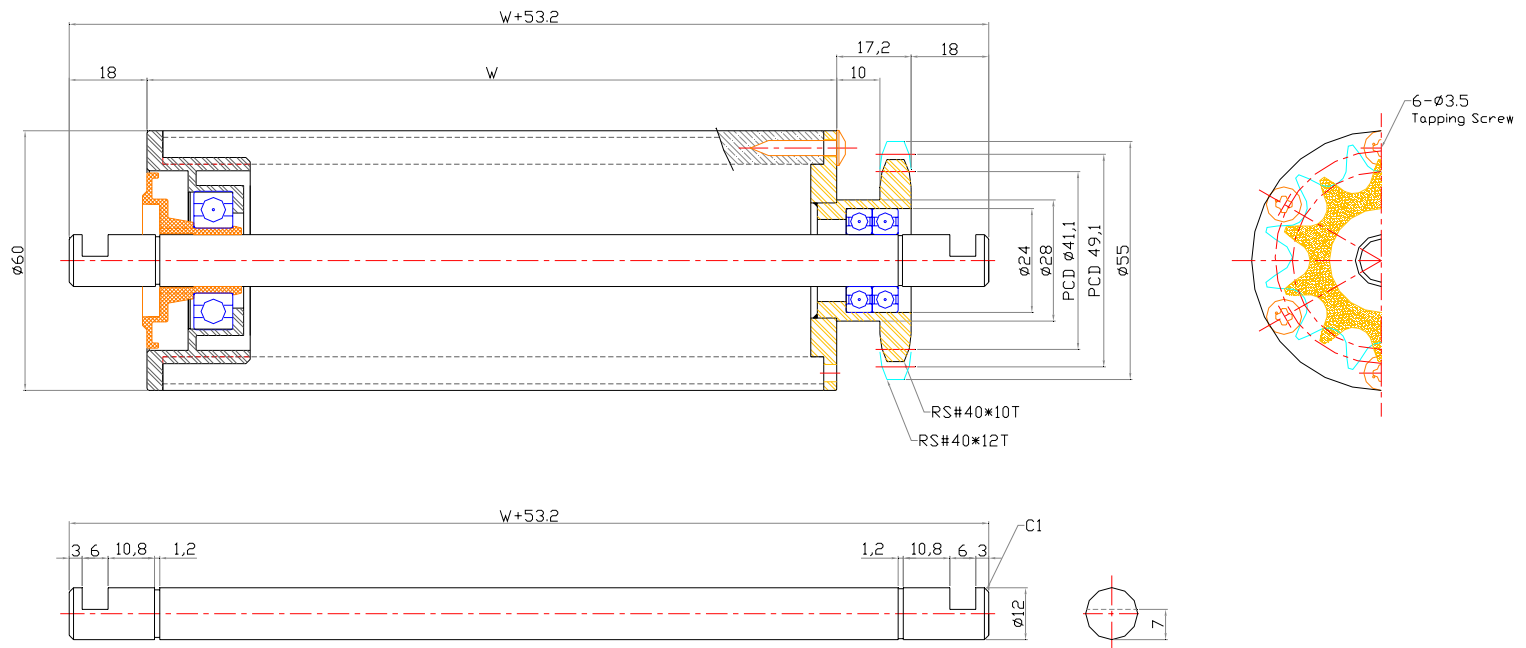
CHAIN SPR. ROLLER

정보 제공용

HFAR-CH6012-4011/12S-KEY

SPECIFICATION

| | | | |
|------------|--------------------------|----------|------------------------|
| AL PROFILE | ø 60-1.5i (LIB 포함 7.75i) | SPROCKET | RS#40*10/12T (SINGLE) |
| SHAFT | ø 12 | CHAIN | RS#40 |
| BEARING | 6901ZZ 6002ZZ | DISC | - |
| SNAP-RING | S12 S12 | CDATING | 우려판, 아세틸, 고무 외(Option) |
| SPEC' | W200-W1300 | SURFACE | 미막(기본) |



주식회사 현대포스

PROJECT SMART ROLL

TITLE Chain Sprocket Roller

DATE

| VIEW | UNIT | ANGLE | SCALE | DATE | GEN. TOLE' | FILE NAME |
|------|------|-------|-------|------------|------------|-----------|
| ☺ | M/M | | | 2006.05.06 | ±0.1 | |

| APPROVED | CHECKED | DESIGNED | DRAWING |
|----------|---------|----------|---------|
| | | | |

| CUSTOMER | |
|----------|--------------|
| DWG NO. | HFAR-CH6012S |
| REV NO. | |

SMART ROLL SERIES – Chain Sprocket (Double Type)

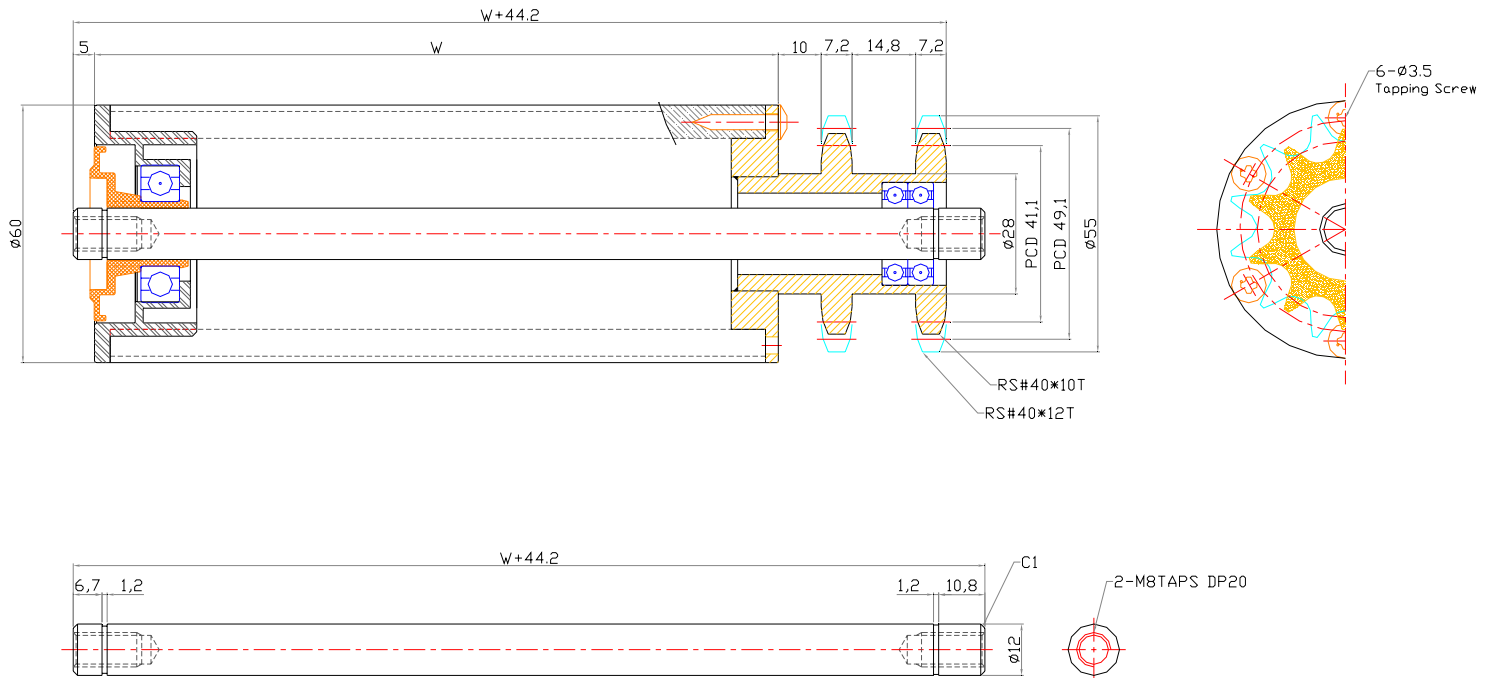
CHAIN SPR. ROLLER

정보 제공용

HFAR-CH6012-4011/12D-TAP

SPECIFICATION

| | | | |
|------------|-----------------------|----------|--------------------------|
| AL PROFILE | φ 60×1.5(LIB 포함 7.75) | SPROCKET | RS#40×10/12T(DOUBLE) |
| SHAFT | φ 12 | CHAIN | RS#40 |
| BEARING | 6901ZZ 6002ZZ | DISC | - |
| SNAP-RING | S12 S12 | COATING | 유래반, 아세탈, 고무 외(Optional) |
| SPEC' | W200-W1300 | SURFACE | 미막(기본) |



주식회사 현대포스

PROJECT SMART ROLL

TITLE Chain Sprocket Roller

DATE

| VIEW | UNIT | ANGLE | SCALE | DATE | GEN' TOL' | FILE NAME |
|------|------|-------|-------|------------|-----------|-----------|
| ① | M/M | | | 2006.05.06 | ±0.1 | |

| APPROVED | CHECKED | DESIGNED | DRAWING |
|----------|---------|----------|---------|
| | | | |

CUSTOMER

DWG NO. HFAR-CH6012D

REV NO.

SMART ROLL SERIES – Chain Sprocket (Double Type)

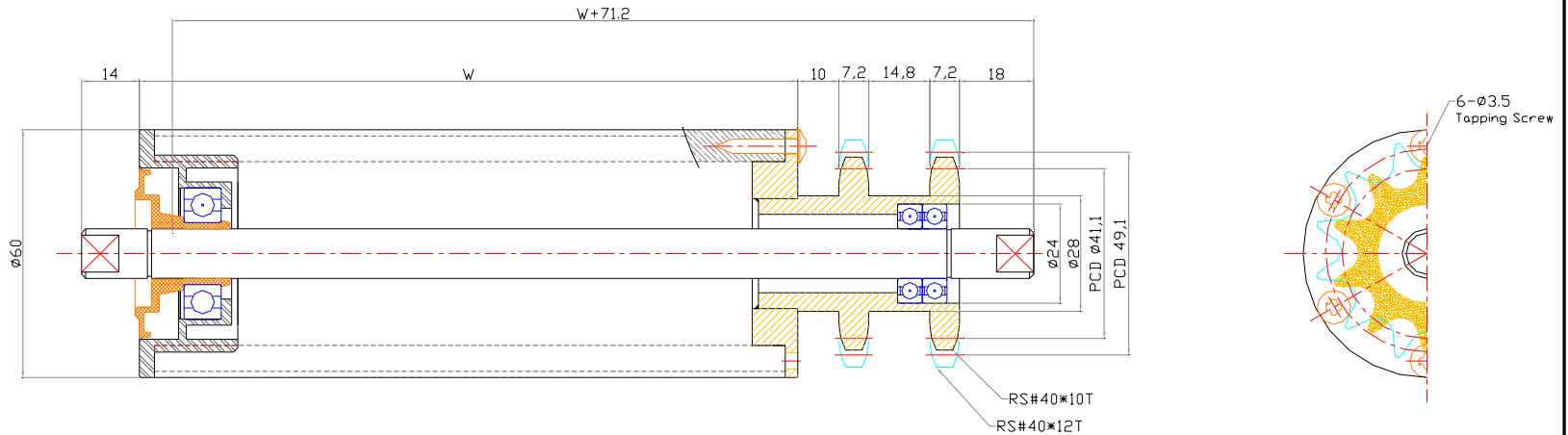
CHAIN SPR. ROLLER

정보 제공용

HFAR-CH6012-4011/12D-CUT

SPECIFICATION

| | | | |
|------------|------------------------|----------|--------------------------|
| AL PROFILE | ø 60-1.5(LIB 포함 7.750) | SPROCKET | RS#40*10/12T<DOUBLE> |
| SHAFT | ø 12 | CHAIN | RS#40 |
| BEARING | 6901ZZ 6002ZZ | DISC | - |
| SNAP-RING | S12 S12 | COATING | 유리탄, 아세탈, 고무 외(Optional) |
| SPEC' | W200-W1300 | SURFACE | 미막(기본) |



SHAFT 선택

반달 커팅

양단 커팅



주식회사 현대포스

PROJECT SMART ROLL

TITLE Chain Sprocket Roller

DATE

| VIEW | UNIT | ANGLE | SCALE | DATE | GEN' | TOLE' | FILE NAME |
|------|------|-------|-------|------------|------|-------|-----------|
| | M/M | | | 2006.05.06 | | ±0.1 | |

| APPROVED | CHECKED | DESIGNED | DRAWING |
|----------|---------|----------|---------|
| | | | |

CUSTOMER

DWG NO. HFAR-CH6012D

REV NO.

SMART ROLL SERIES – Chain Sprocket (Double Type)

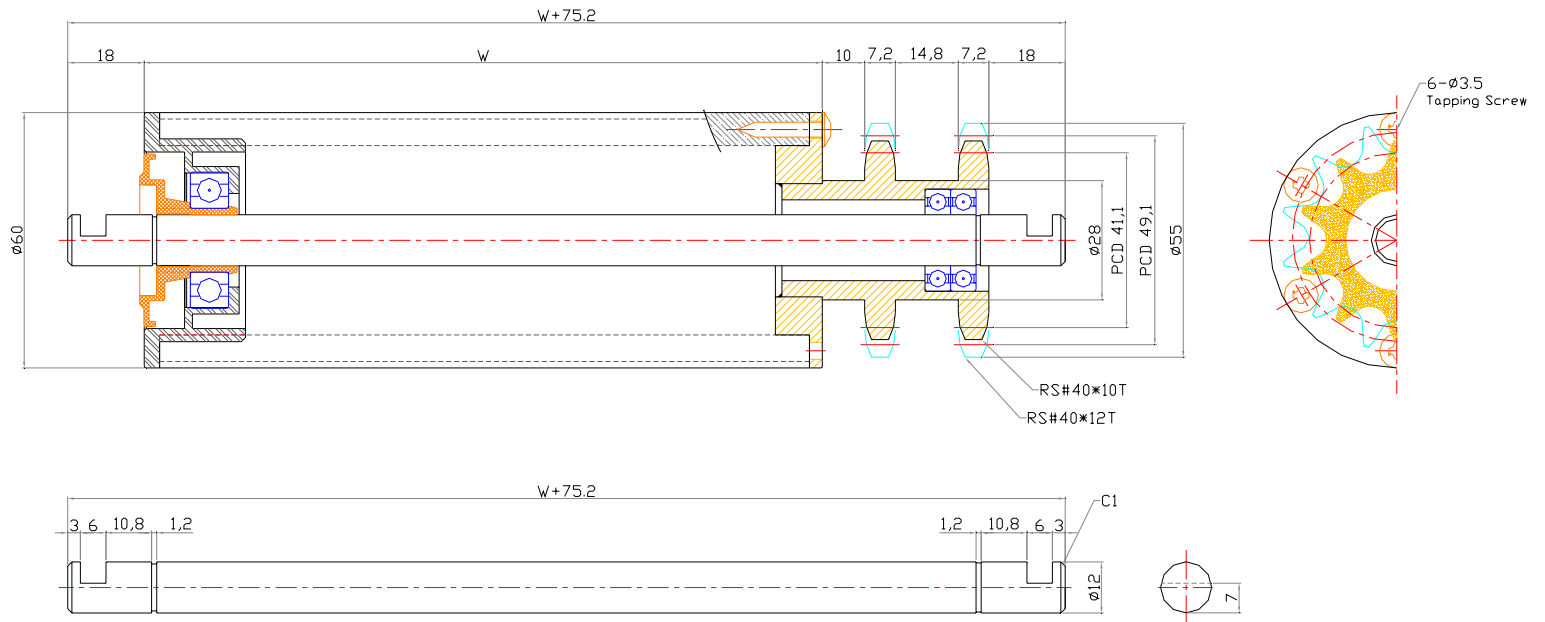
CHAIN SPR. ROLLER

정보 제공용

HFAR-CH6012-4011/12D-KEY

SPECIFICATION

| | | | |
|-------------|-------------------------|----------|--------------------------|
| AL. PROFILE | ∅ 60×1.5t(LIB 포함 7.75t) | SPROCKET | RS#40×10/12T(DDUBLE) |
| SHAFT | ∅ 12 | CHAIN | RS#40 |
| BEARING | 6901ZZ 6002ZZ | DISC | - |
| SNAP-RING | S12 S12 | COATING | 우려안, 아세탈, 고무 외(Optional) |
| SPEC' | W200-W1300 | SURFACE | 미막(기본) |



주식회사 현대포스

PROJECT SMART ROLL

TITLE Chain Sprocket Roller

| VIEW | UNIT | ANGLE | SCALE | DATE | GEN' | TOL' | FILE NAME |
|------|------|-------|-------|------|------|------|-----------|
|------|------|-------|-------|------|------|------|-----------|

DATE



M/M

2006.05.06

± 0.1

| APPROVED | CHECKED | DESIGNED | DRAWING |
|----------|---------|----------|---------|
|----------|---------|----------|---------|

CUSTOMER

DWG NO. HFAR-CH6012D

REV NO.