

SMART ROLL SERIES – Accumulation (Single Sprocket)

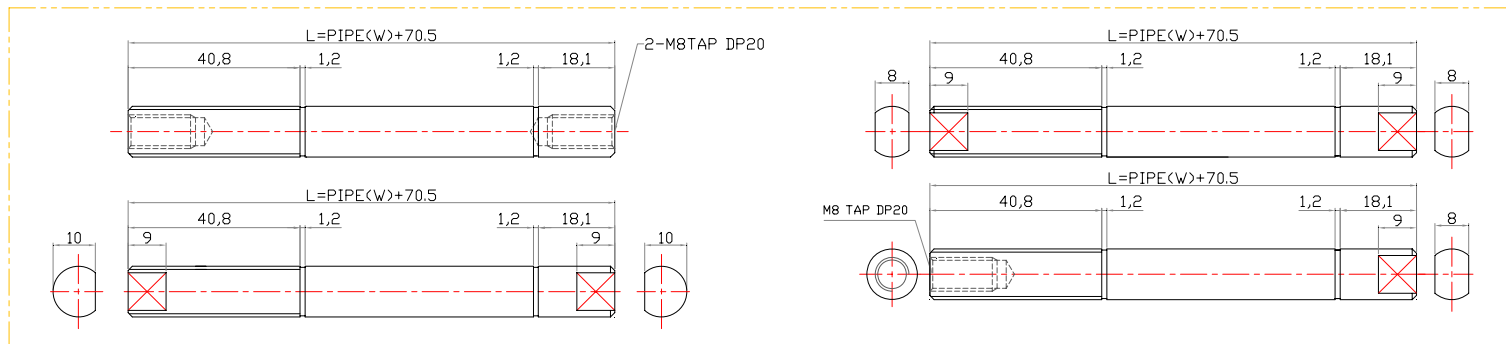
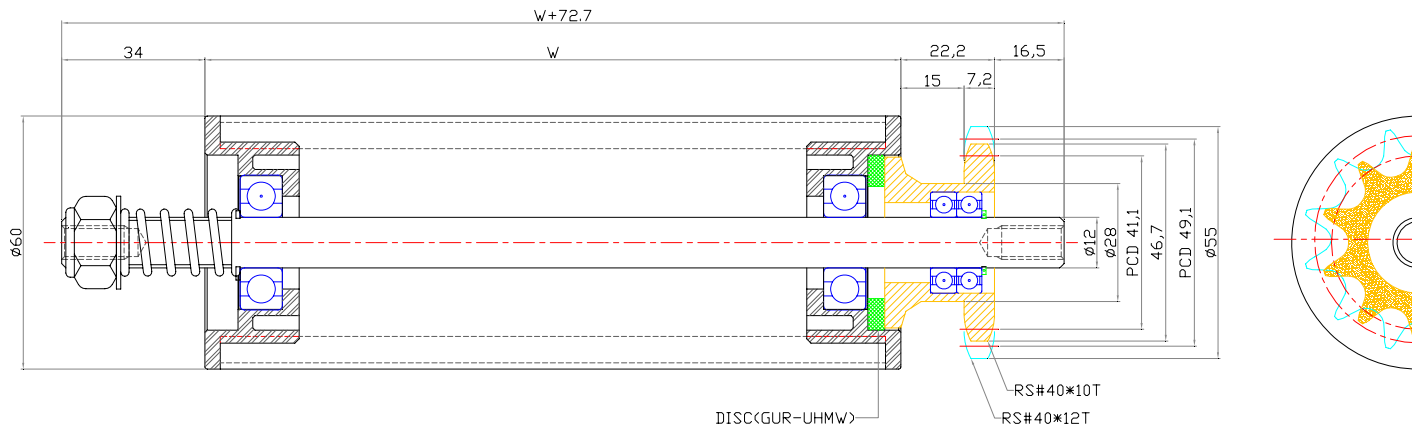
ACCUM ROLLER

정보 제공용

HFAR-AC6012-4010/12S

SPECIFICATION

AL. PROFILE	∅60*1.5t(LIB 포함 7.75t)	SPROCKET	RS#40*10/12T(SINGLE)
SHAFT	∅12 / Zn Coating	CHAIN	RS#40
BEARING	6901ZZ 6201ZZ	DISC	GUR(UHMW)
SNAP-RING	S12 S12	CDATING	우레탄, 아세탈, 고무 외(Optional)
SPEC'	W200-W1300	SURFACE	외면(기본)



주식회사 현대포스

PROJECT SMART ROLL

TITLE Accumulation Roller

DATE

VIEW	UNIT	ANGLE	SCALE	DATE	GEN'	TOLE'	FILE NAME
\oplus	M/M						

APPROVED	CHECKED	DESIGNED	DRAWING

CUSTOMER
DWG NO. HFAR-AC6012S
REV NO.

SMART ROLL SERIES – Accumulation (Double Sprocket)

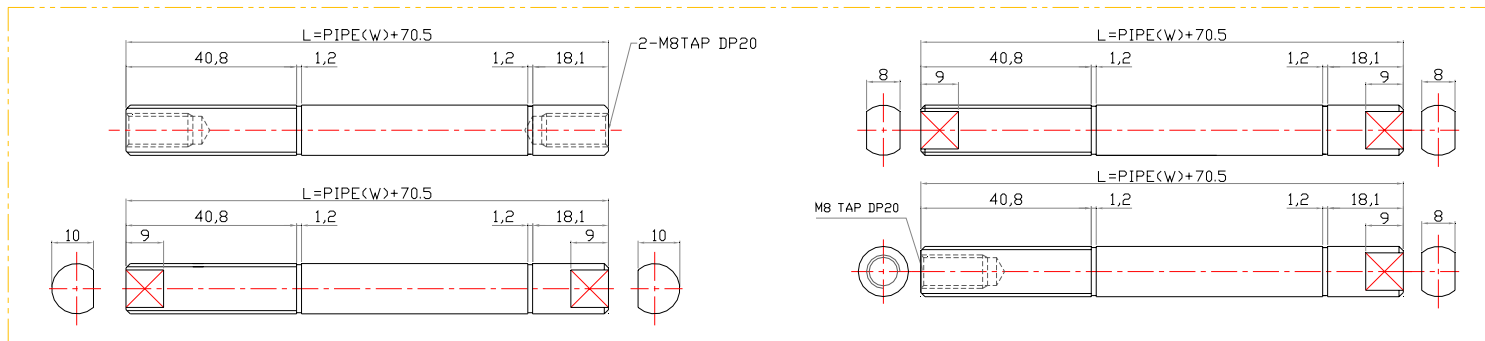
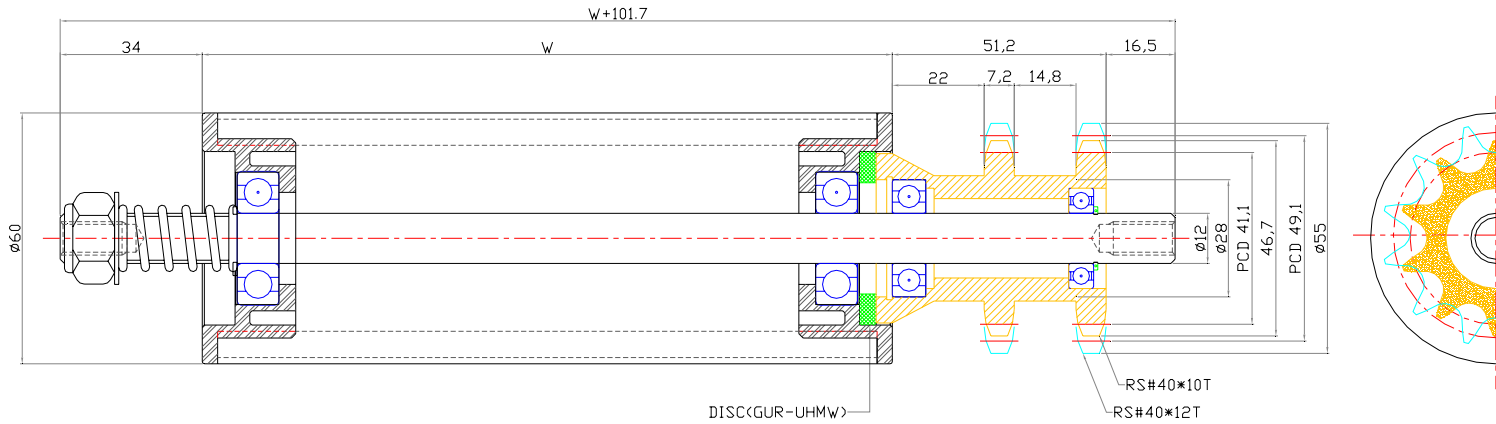
ACCUM ROLLER

정보 제공용

HFAR-AC6012-4010/12W

SPECIFICATION

AL PROFILE	ø 60-1.5(LIB 포함 7.75)	SPROCKET	RS#40*10/12T(DOUBLE)
SHAFT	ø 12 / Zn Coating	CHAIN	RS#40
BEARING	6901ZZ 6001ZZ 6201ZZ	DISC	GUR(UHMW)
SNAP-RING	S12 R28 S12	COATING	우레탄, 아세탈, 고무 외(Option)
SPEC'	W200-W1300	SURFACE	피막(기본)



주식회사 현대포스

PROJECT SMART ROLL

TITLE Accumulation Roller

DATE

VIEW	UNIT	ANGLE	SCALE	DATE	GEN TOLE	FILE NAME
☐	M/M					

APPROVED	CHECKED	DESIGNED	DRAWING

CUSTOMER

DWG NO.

HFAR-AC6012D

REV NO.